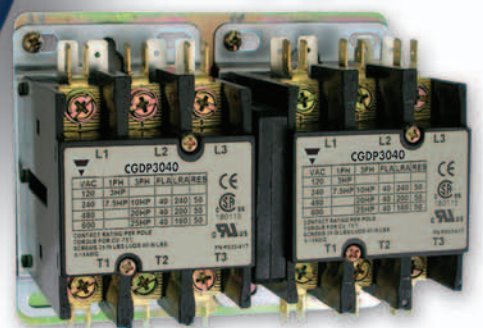
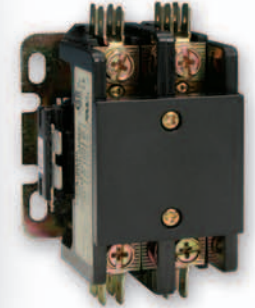
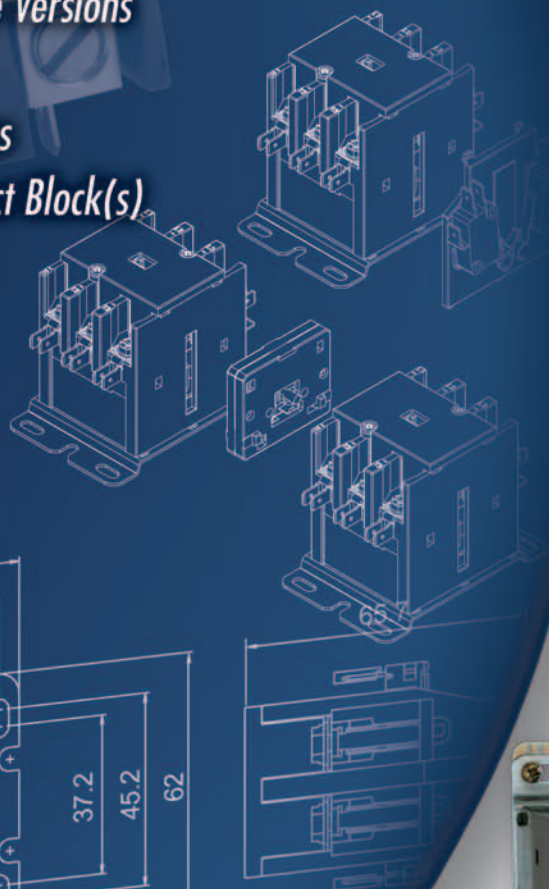
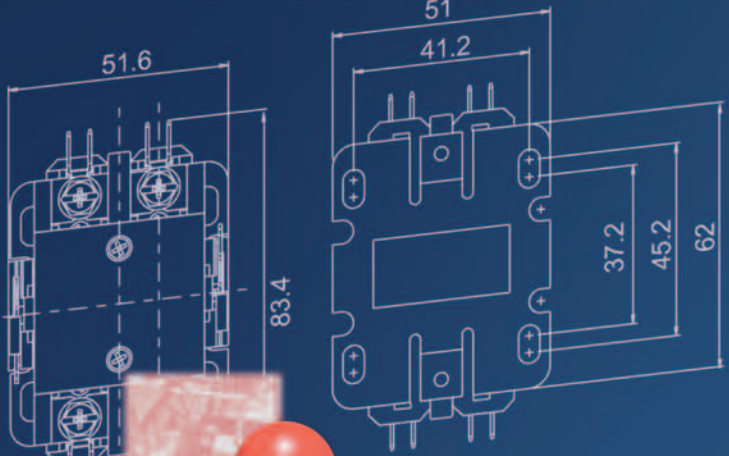
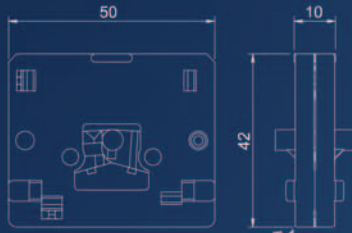




## Definite Purpose Contactors

- 1, 1+Shunt, 2 and 3 Pole Versions
- Economically Priced
- Universal Mounting Plates
- Optional Auxiliary Contact Block(s)
- Optional Lug Terminals



VOLTS	120	240	480	600	120	240	480	600
120	3HP	7.5HP	15HP	20HP	40	40	40	50
240	7.5HP	15HP	20HP	25HP	40	200	200	50
480			25HP	40	160	160	160	50
600								

CONTACT RATING PER POLE  
FOR CU AL BRASS LUGS 40 IN LBS

CE  
SP US 180115  
C RU US  
FN P033-42T  
T3

VAC	120	240	480	600	120	240	480	600
120	3HP	7.5HP	15HP	20HP	40	40	40	50
240	7.5HP	15HP	20HP	25HP	40	200	200	50
480			25HP	40	160	160	160	50
600								

CONTACT RATING PER POLE  
FOR CU AL BRASS LUGS 40 IN LBS

CE  
SP US 180115  
C RU US  
FN P033-42T  
T3



# Definite Purpose Contactors

Carlo Gavazzi introduces its new Definite Purpose Contactors designed to satisfy OEM's and end user's needs. One-pole, one-pole+shunt, two-pole and three-pole contactors provide various application solutions with great reliability and a long life cycle.

## Features:

- Universal mounting plates
- Straight through wiring
- Auxiliary contact block(s) available
- Optional DIN rail mounting
- Optional lug terminals
- Cost effective
- Low coil VA
- Quiet operation

## Common Applications

Heating  
Ventilation  
Air Conditioning  
Refrigeration  
Lighting  
Elevators  
Pumps and Compressors  
Food and Beverage Industry  
Pools and Spas  
Welding



# 1-Pole+Shunt and 2-Pole Definite Purpose Contactors



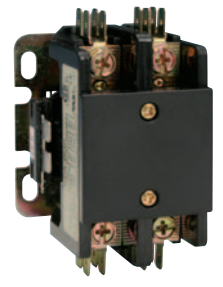
**CGDP-1020**



**CGDP-1530**



**CGDP-2030L**

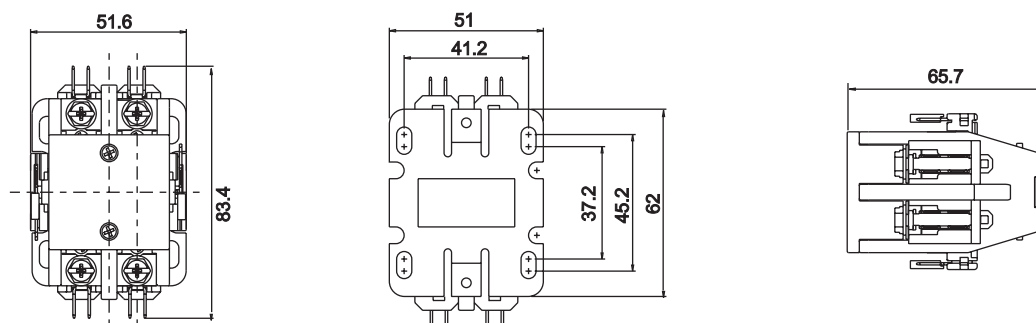


**CGDP-2040**

Catalog Number	CGDP-1020	CGDP-1520	CGDP-2020	CGDP-1025	CGDP-1525	CGDP-2025	CGDP-1030	CGDP-1530	CGDP-2030	CGDP-1040	CGDP-1540	CGDP-2040	
Number of Poles	1	1+ shunt	2	1	1+ shunt	2	1	1+ shunt	2	1	1+ shunt	2	
Terminal Type	Screw Terminals (Standard) or Box Lug (Optional with L Suffix)												
Top Cover	With Top Cover (Standard) or Without Top Cover (Optional with S Suffix)									With Top Cover (Standard)			
Rated Insulation Voltage (Ui)UL/IFC	600/660												
Rated Operating Voltage (Ue)UL/IFC	600/660												
Rated Thermal Current (Ith)UL/IFC	30			35			40			50			
ARI 780	<b>Full load amps (FLA)</b>		<b>20</b>		<b>25</b>		<b>30</b>		<b>40</b>		<b>40</b>		
	Locked rotor amps (LRA) A	1 phase Max HP	240/277V	120		150		180		240		240	
			480V	100		125		150		200		200	
			600V	80		100		120		160		160	
Resistive load amps (RES)A		30		35		40		50		50			
UL 508	Full load amps (FLA)	1 phase Max HP	110/120V	1.5HP/20A		2HP/24A		2HP/24A		3HP/34A		3HP/34A	
			240/277V	3HP/17A		3HP/17A		5HP/28A		7.5HP/40A		7.5HP/40A	
IEC 60947-1 IEC 60947-4-1 AC 7A * AC 8A *	Rated amps (A)	1 phase Max HP	220V	20		25		30		40		40	
			380V	20		25		30		40		40	
	Resistive load amps (RES)A		32		35		40		50		50		
Coil Selection	24 - 120 - 208/240 - 277 - 480												
Approvals	CSA	•		•		•		•		•		•	
	CE	•		•		•		•		•		•	
	cRUus	•		•		•		•		•		•	
Approximate Weights (kg)	0.23			0.23			0.3			0.3			

\* AC 7a: For electrical home appliances or similar low voltage applications  
AC 8a: For control of enclosed freezers or compressors with manual overload protection

**Dimensions (mm) For Models:** CGDP-1020(L)~1040(L) / CGDP-1520(L)~1540(L) / CGDP-2020(L)~2040(L)



Specifications are subject to change without notice.





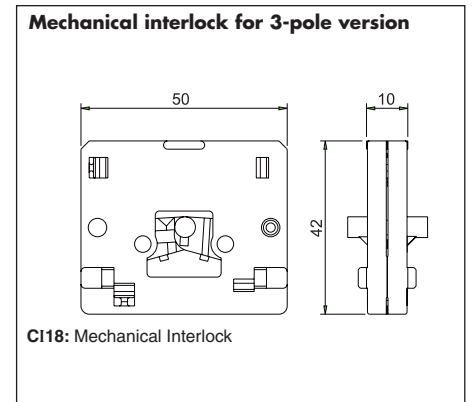
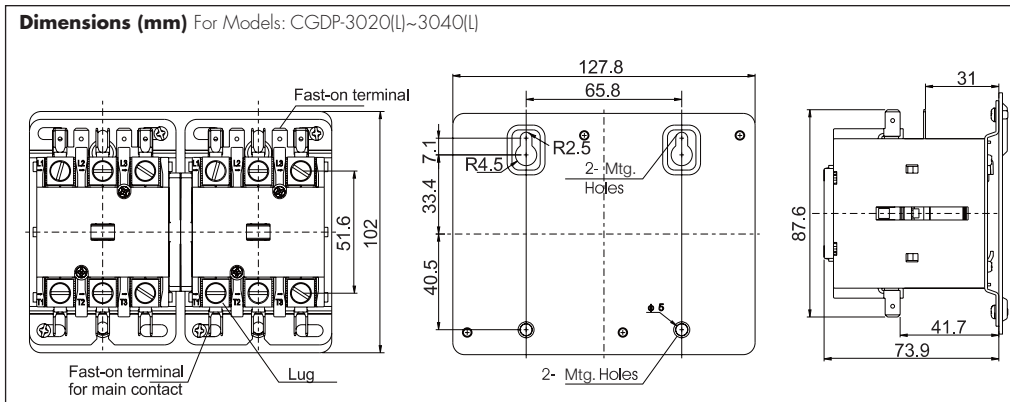
# 3-Pole Reversing Definite Purpose Contactors



**CGDPR-3040**

Catalog Number	CGDPR-3020	CGDPR-3020L	CGDPR-3025	CGDPR-3025L	CGDPR-3030	CGDPR-3030L	CGDPR-3040	CGDPR-3040L
Number of Poles	3							
Terminal Type*	Screw Terminals (Standard) or Box Lug (Optional with L Suffix)							
Rated Insulation Voltage (Ui)UL/IFC	600/660							
Rated Operating Voltage (Ue)UL/IFC	600/660							
Rated Thermal Current (Ith)UL/IFC	30		35		40		50	
ARI 780	<b>Full load amps (FLA)</b>		<b>20</b>		<b>25</b>		<b>30</b>	
	Locked rotor amps (LRA) A	1 phase Max HP	240/277V	120	150	180	240	
			480V	100	125	150	200	
			600V	80	100	120	160	
Resistive load amps (RES)A		30		35		40		
UL 508	Full load amps (FLA)	1 phase Max HP	110/120V	1.5HP/20A	2HP/24A	2HP/24A	3HP/34A	
			240/277V	3HP/17A	5HP/28A	5HP/28A	7.5HP/40A	
			440/480V	5HP/14A	5HP/14A	7.5HP/21A	15HP/34A	
			220/240V	7.5HP/22A	10HP/28A	10HP/28A	10HP/28A	
			440/480V	7.5HP/11A	15HP/21A	15HP/21A	20HP/27A	
	Locked rotor amps (LRA) A	3 phase Max HP	220/240V	7.5HP/127A	10HP/162A	10HP/162A	10HP/162A	
			440/480V	7.5HP/63.5A	15HP/116A	15HP/116A	20HP/145A	
			550/600V	7.5HP/50.8A	20HP/116A	20HP/116A	25HP/146A	
IEC 60947-1 IEC 60947-4-1 AC 7A ** AC 8A **	Rated amps (A)	1 phase Max HP	220V	20	25	30	40	
380V			20	25	30	40		
Resistive load amps (RES)A		32		35		40		
Coil Selection	24 - 120 - 208/240 - 277 - 480							
Approvals	CSA	•		•		•		•
	CE	•		•		•		•
	cRUus	•		•		•		•
Approximate Weights (kg)	1.02							

\* Different options for terminal type of power side or load side are available  
 \*\* AC 7a: For electrical home appliances or similar low voltage applications  
 AC 8a: For control of enclosed freezers or compressors with manual overload protection



# How To Order

**CGDP**       **5**

**Series**  
**CGDP** : Non-Reversing Definite Purpose  
**CGDPR** : Reversing Definite Purpose (3 Pole Only)

**Pole Configuration**  
**10** : 1 Pole    **15** : 1 Pole + Shunt  
**20** : 2 Pole    **30** : 3 Pole

**Amperage Rating**  
**20**: 20 Amps    **30**: 30 Amps  
**25**: 25 Amps    **40**: 40 Amps

**Power Terminals**  
  : Power and Load sides with Screw (for CGDP-1P, 1.5P, 2P, 3P) (Standard)  
 **N** : Without fast-on terminal (for CGDP-1P, 1.5P, 2P)  
**L**  : Power and Load sides with Lug (for CGDP-1P, 1.5P, 2P, 3P)  
**L N** : Power and Load sides with Lug without fast-on terminal (for CGDP-1P, 1.5P, 2P)  
**M**  : Power side with Screw+Load side with Lug (for CGDP-1P, 1.5P, 2P, 3P)

**Accessories**  
**Blank** : With Top Cover (Standard)  
**S** : Without Top Cover  
**T** : With Anti-dust Plate

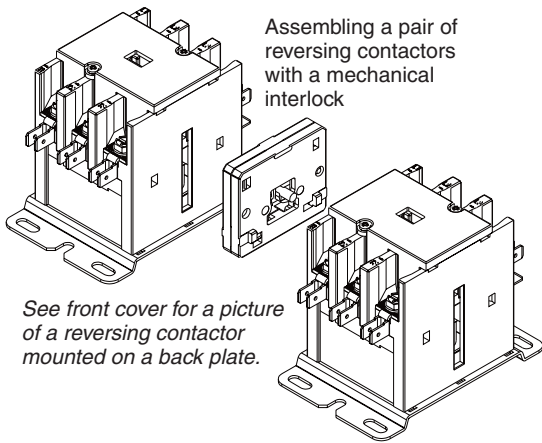
**Auxiliary Contacts**  
**Blank** : Standard (No Aux. Prop)  
**A** : One 3A Aux (Right side x 1)  
**B** : Two 3A Aux (Both sides x 1)  
**C** : Three 3A Aux (Right x 2, Lefts x 1)  
*Only available on 3-pole models*

**Coil Frequency**  
**5** : 50/60Hz

**Coil Voltage**  
**B** : 24VAC    **Y** : 277VAC  
**F** : 120VAC    **Q** : 480VAC  
**K** : 208-240VAC  
*Other Coil Voltages Available Upon Request*

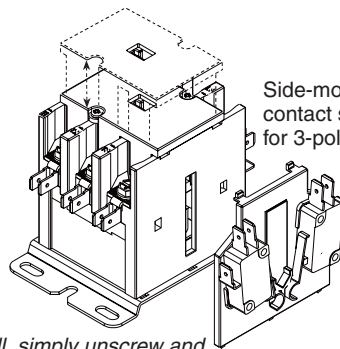
Example: **CGDP3030LF5A** is:  
 3Pole, 30A, Lug type, 120 VAC, 50/60Hz, One 3A Auxiliary on right side  
 No spaces or any punctuation between characters

## Installation of Accessories



Assembling a pair of reversing contactors with a mechanical interlock

See front cover for a picture of a reversing contactor mounted on a back plate.



Side-mounting auxiliary contact set available for 3-poles versions

To install, simply unscrew and remove top cover as shown above, place auxiliary contact in position, push top cover down and retighten top cover screws.

Your Authorized Distributor:

**CARLO GAVAZZI**  
 Automation Components

USA Phone: 847.465.6100 Fax: 800.222.2659  
 Canada Ontario: 905.542.0979 Quebec: 514.644.2544  
 Website [www.GavazziOnline.com](http://www.GavazziOnline.com)  
 Email [Sales@CarloGavazzi.com](mailto:Sales@CarloGavazzi.com)



Visit our website for CAD drawings, data sheets, brochures & pricing: [www.GavazziOnline.com](http://www.GavazziOnline.com)